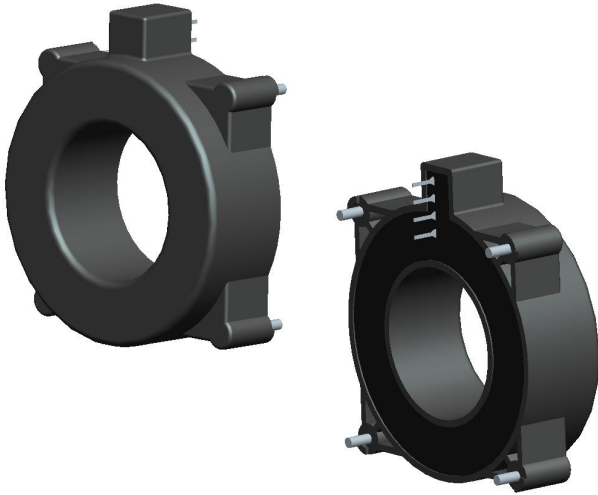




# WCSH23D

## $I_p=100\sim 1000A$



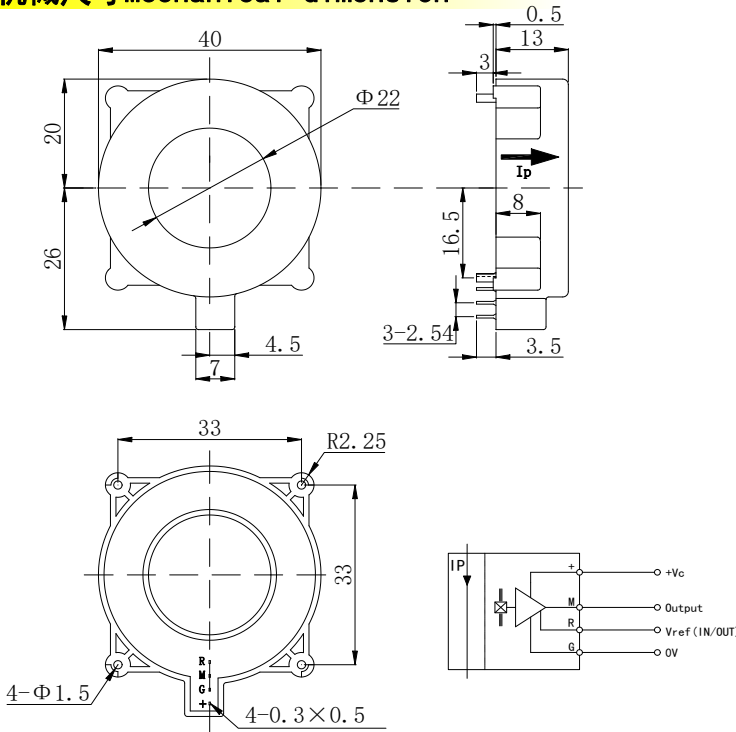
### 产品特点 Products Features

- 安装方便  
Easy mounting
- 体积小，节省空间  
Small size and space saving
- 无插入损耗  
No insertion losses
- 抗干扰能力强  
High immunity to external interference

### 应用领域 Applications

- 直流电机驱动静态转换器  
Static converters for DC motor drives
- 通讯电源  
Battery supplied applications
- 不间断电源 (UPS)  
Uninterruptible Power Supplies
- 开关电源 (SMPS)  
SWITCHED Mode Power Supplies
- 电焊机  
Power supplies for welding applications

### 机械尺寸 Mechanical dimension



### 机械特性

#### Mechanical characteristics

一般公差  
General tolerance  
 $\pm 0.5\text{ mm}$

其它公差执行  
Other tolerance execution  
GB/T 1804-2000-M

固定孔尺寸  
Fixing hole size  
 $\phi 1.5\text{mm} (\times 4)$

连接器  
Connection of secondary  
 $0.3\text{mm} \times 0.5\text{mm} (\times 4)$

建议焊接温度  
Recommended wave soldering temperature  
 $265^\circ\text{C} \pm 5^\circ\text{C}$

### 注意 Remarks

- 错误的接线可能导致传感器损坏。  
The false wiring may result in the damage of the sensor.
- $I_p$ 方向与产品箭头方向一致时，输出电压为正极。  
 $V_{OUT}$  is positive when  $I_p$  flows in the direction of the arrow.
- 当初级导体完全充满初级孔径时动态表现 ( $di/dt$ 和响应时间) 为最佳效果。  
Dynamic performances ( $di/dt$  and response time) are best with a single bar completely filling the primary hole.
- 初级导体的温度不应超过 $100^\circ\text{C}$ 。  
Temperature of the primary conductor should not exceed  $100^\circ\text{C}$ .

### 电气参数 Electrical data WCSH23D

除非另有说明，否则环境参数均为@  $T_A = 25^\circ\text{C}$ ,  $R_L = 10\text{ k}\Omega$

型号 Type	WCSH23D-XXXXA				
额定测量电流 I <sub>P</sub> Rated input	100A	200A	400A	800A	1000A
测量范围 I <sub>PM</sub> Measure range	110A	220A	440A	880A	1100A
额定输出电压 V <sub>OUT</sub> Rated output voltage	1/2V <sub>C</sub> ±2.0V				
零点失调电压 V <sub>0</sub> Offset voltage	1/2V <sub>C</sub> ±20mV				
电源电压 V <sub>C</sub> Supply voltage	+5VDC (± 5%)				
负载电阻 R <sub>M</sub> Load resistance	≥10KΩ				
线性度 ε <sub>L</sub> Linearity	≤0.5%FS				
总体精度 X Overall accuracy	±1%FS				
零点失调电压温漂 V <sub>OUT</sub> Offset voltage drift	±0.2mV/°C				
幅度电压温度漂移 V <sub>OUT</sub> Amplitude voltage temperature drift	≤0.05%/°C				
静态电流消耗 I <sub>C</sub> Current consumption	≤20mA				
响应时间 T <sub>R</sub> Response time	<7us				
频带宽度 BW Frequency bandwidth-3db	DC~50KHz				
di/dt 跟随精度 di/dt accurately followed	>50A/us				
绝缘耐压 V <sub>D</sub> Galvanic isolation	50Hz, 1min, 3KV				
工作环境温度 T <sub>A</sub> Ambient operating temperature	-40~+125°C				
储存环境温度 T <sub>S</sub> Ambient storage temperature	-40~+125°C				
质量 m Mass	≈60g				
执行标准 Standards	JB/T 7490-2007				

### 定制 Customized

这是一个标准的产品，需要其他规格（测量电流、电源电压、输出电压、连接器、转换比率等）请联系我们。  
This is a standard model. For different versions (IP, supply voltages, output voltages, connection of secondary, turns ratios...), please contact us.

### 联系方式 Contact information

李伟军 18576721398 www.gchsensord.com victor801@vicorv.com